

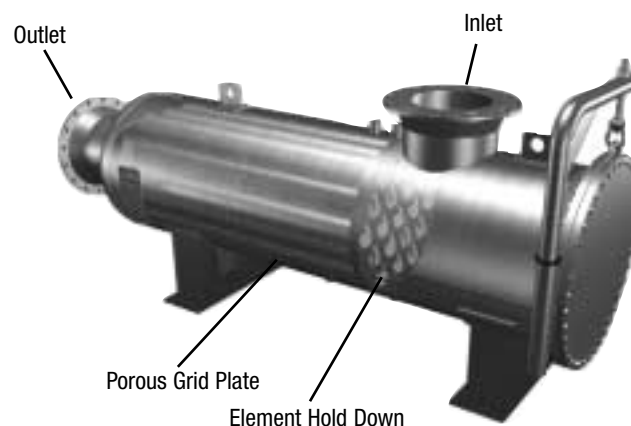
Ultipleat® High Flow Filter System

Description

The Ultipleat High Flow filter is a large diameter, coreless, single open ended, pleated cartridge with an inside to outside flow pattern. The filter's unique crescent-shaped pleat geometry, combined with its large 6 inch (15.24 mm) diameter and proprietary range of available Pall filter media, allows you to use significantly fewer filters and smaller housings for high flow rate applications. Systems can handle up to 30,500 gpm (115, 443 lpm).

Benefits

- Up to 50% smaller filter system possible
- Up to forty times fewer elements to change out
- Higher flow rates per filter cartridge - up to 500 gpm (1900 lpm)
- Available in 20 inch (508 mm), 40 inch (1016 mm) and 60 inch (1524 mm) lengths
- Coreless, all plastic construction to minimize waste disposal
- Absolute rated filter medium for reproducible performance
- Inside to outside flow configuration - all debris within the filter
- Polypropylene filters are made from all FDA listed materials



Materials of Construction

Filter Type	Filter Medium	Support/Drainage Materials	End Caps
HDC® II Medium	High Area Polypropylene Structure	Polypropylene	Glass Filled Polypropylene
Ultipleat® Profile® Medium	Pleated Polypropylene Depth Structure	Polypropylene	Glass Filled Polypropylene
Ultipor® Medium	Glass Fiber	Polyester/Nylon	Acetal

Operating Conditions

	Polypropylene Medium	Glass Fiber Medium
Maximum Differential Pressure ¹	50 psid at 180°F	50 psid at 250°F
(normal inside to outside flow)	3.44 bar at 82°C	3.44 bar at 121°C

(1) For fluids compatible with the filter element at the stated temperature.

Ordering Information/Specifications

Filter Cartridge Part Number: HFU △ ○ ◇

△

CODE	Filter Dimensions, Inches	Suggested Maximum Flow Per Cartridge- GPM/LPM/MGD of Water
620	6" Diameter By 20" Long	175/663/0.25
640	6" Diameter By 40" Long	350/1325/0.5
660	6" Diameter By 60" Long	500/1900/0.7

○

Medium Type	Code	Absolute Liquid Removal Rating (Microns) at 99.98% Efficiency by Particle Count ¹	Element Pressure Drop ² 20 inch length (PSID/GPM)/(MBar/M3/H)	Element Pressure Drop ² 40 inch length (PSID/GPM)/(MBar/M3/H)	Element Pressure Drop ² 60 inch length (PSID/GPM)/(MBar/M3/H)
HDC® II Medium	J200	20.0	0.001/0.304	0.0005/0.152	0.0003/0.091
Ultiplex® Profile® Medium	UY045	4.5	0.0046/1.396	0.0023/0.698	0.0015/0.455
	UY100	10.0	0.0034/1.032	0.0017/0.516	0.0011/0.334
	UY200	20.0	0.0024/0.728	0.0012/0.364	0.0008/0.243
	UY400	40.0	0.0014/0.556	0.0007/0.278	0.0005/0.146
	UY1000	100.0	<0.001/<0.292		
Ultipor® Medium	GF020	2.0	0.0022/0.668	0.0011/0.334	0.0007/0.212
	GF100	10.0	0.0016/0.486	0.0008/0.243	0.0005/0.152
	GF200	20.0	0.0012/0.364	0.0006/0.182	0.0004/0.121

1) The test procedure used is an adaptation of ISO 4572, modified to determine the micron size above which particles are quantitatively removed.

2) Pressure drop in PSID per GPM for the cartridge length shown. Multiply this value by the total system flow to determine the aqueous pressure drop. Next for fluids other than water, multiply this value by the fluids viscosity at the operating temperature in centipoise. This value is the pressure drop across the Ultiplex High Flow filter(s) only; it must be added to the pressure drop due to the Ultiplex High Flow filter housing.

◇

Code-Filter O-Ring	Material
H13 (Standard for glass fiber filters)	Buna N
H13W	FDA Listed Buna N
J (Standard for polypropylene filters)	Ethylene Propylene
JW	FDA Listed Ethylene Propylene
H4	Silicone
H4W	FDA Listed Silicone
H	Viton A*
HW	FDA Listed Viton A

* Viton is a registered trademark of E.I. du Pont de Nemours and Co.

Housing Design

Three configurations are available: horizontal, vertical and centerpipe design.

The in-line horizontal configuration eliminates the need for a platform, or ladder, to remove the filters from the housing.

Vertical vessels may be more appropriate when floor space is limited. However, a platform may be needed to easily remove the elements.

In both the standard horizontal and vertical configurations, the inlet pipe is located between the filter element tubesheet and housing lid. The larger the vessel diameter, the longer the distance to reach in and remove the elements from the vessel. In a centerpipe vessel the housing lid is closer to the filter tubesheet. When the lid is

opened the filters are easily accessible for installation and removal. Centerpipe vessels are larger in diameter, and more costly.

- Designed to the ASME, section VIII, division 1 code
- Maximum differential pressure across tubesheet: 75 psid (5.17 bar) maximum

- Standard housing gasket: spiral wound 304 stainless steel mineral fiber
- Carbon steel exterior surfaces: sandblasted and coated with an inorganic zinc
- Vent and drains: 1 inch FNPT
- Corrosion allowance: 1/8 inch

Housing Ratings

Vessel Material	Tubesheet and Hold Down Plate Material of Construction	Pressure Rating in Psig/Bar g at 140°F / 60°C
Carbon steel	304 stainless steel	275 psig (18.95 bar)
304 stainless steel	304 stainless steel	259 psig (17.85 bar)
304L stainless steel	304L stainless steel	216 psig (14.89 bar)
316 stainless steel	316 stainless steel	261 psig (17.99 bar)
316L stainless steel	316L stainless steel	216 psig (14.89 bar)

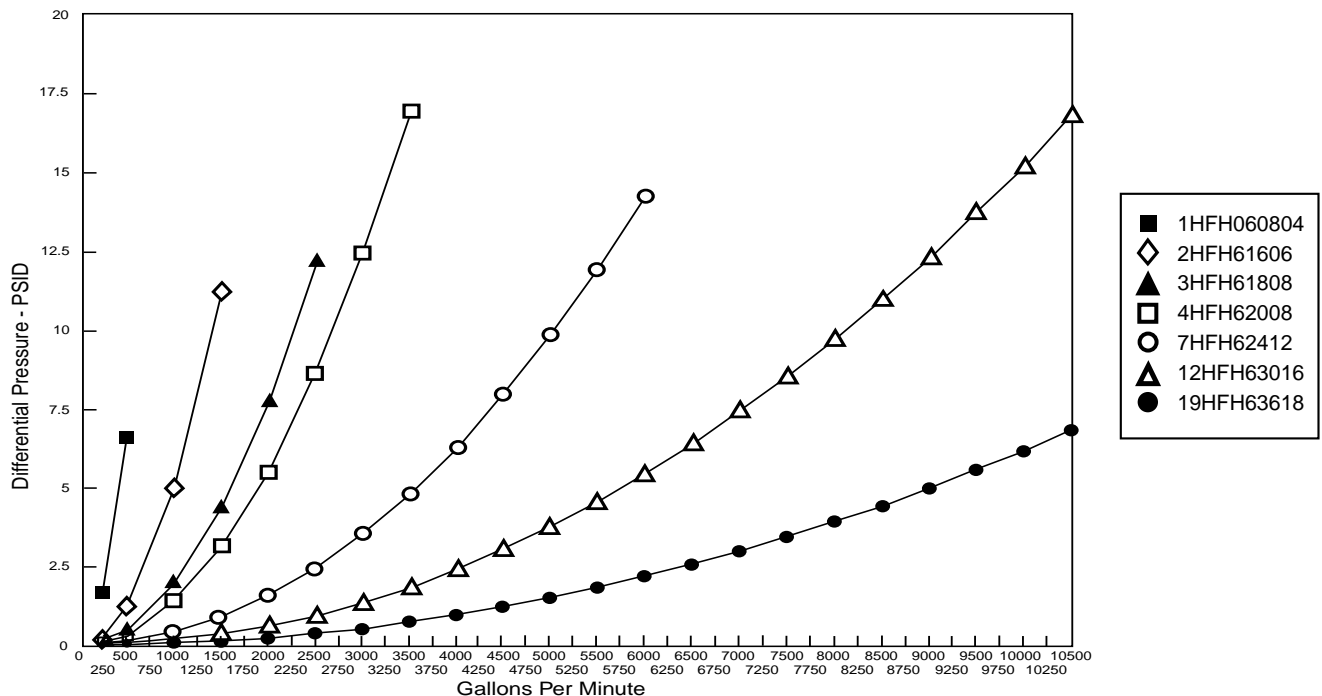
Filter Installation and Filter Seal Mechanism

To install a filter element, remove the element hold down plate by lifting it off the locating pins. Lubricate the O-ring on the open-end of the filter with a compatible fluid, and slide the closed end of the filter into the perforated cage, which is welded to the tubesheet. Seat the elements in place by pressing down on the open-end of the filter until the element is snug in the tubesheet. This provides a seal between the filter and housing via the filter O-ring. The open-end cap must be below the tubesheet surface. After

installing all the filter cartridges, reinstall and secure the element hold down plate by guiding it over the locating pins on the tubesheet. The purpose of the hold down plate is to prevent the elements from becoming dislodged in the event of reverse flow.

A filter element tool is provided with each housing to aid with the installation and removal of the filter cartridges. This tool eliminates the need for an operator to reach within the filter vessel to either remove or install filters.

Figure 1: Utiplateat High Flow Horizontal Housings (Aqueous Housing Pressure Drop - PSID)



Ordering Information-Standard Horizontal and Vertical Housings

Part Number	No. Of Filters	Rated Flow Per Housing- GPM/LPM 60" Long Filter	Nominal Housing Diameter (In/mm) (D)	Inlet/Outlet Flange Diameter (In/mm)	Maximum Horizontal Housing Overall Length (In/mm) (L)	Horizontal Housing Height (In/mm) (H)	Distance Between Housing and Lid and Tubesheet (In/mm)	Housing Weight Empty Lbs/KG	Housing Weight Full Of Water Lbs/KG	Housing Cover Swing Opening (In/mm)
1HF ■●0804F1▲	1	500/1893	8 ½/219.1	4/101.6	89/2261	32/817	14.5/368.3	471/214	621/282	9/228.6
2HF ■●1606F1▲	2	1000/3785	16/406.4	6/152.4	100/2527	40/1023	22.7/576.3	1172/532	1771/803	25.77/654.6
3HF ■●1808F1▲	3	1500/5680	18/457.2	8/203.2	104/2642	43/1093	26.2/665.2	1583/718	2384/1081	27.28/692.8
4HF ■●2008F1▲	4	2000/7570	20/508	8/203.2	105/2654	46/1175	26.38/669.6	2087/947	3048/1382	29.77/756.3
7HF ■●2412F1▲	7	3500/13248	24/609.6	12/304.8	112/2832	59/1487	31.88/809.6	3250/1474	4762/2160	34.28/870.6
12HF ■●3016F1▲	12	6000/22710	30/762	16/406.4	121/3073	58/1480	38.69/982.7	4670/2118	7306/3314	37.99/964.9
19HF ■●3620F1▲	19	9500/35958	36/914.4	20/508	129/3264	68/1718	43.37/1101.6	7060/3202	11121/5045	44.83/1138.8

Ordering Information - Horizontal Orientation, Centerpipe Designed Housings

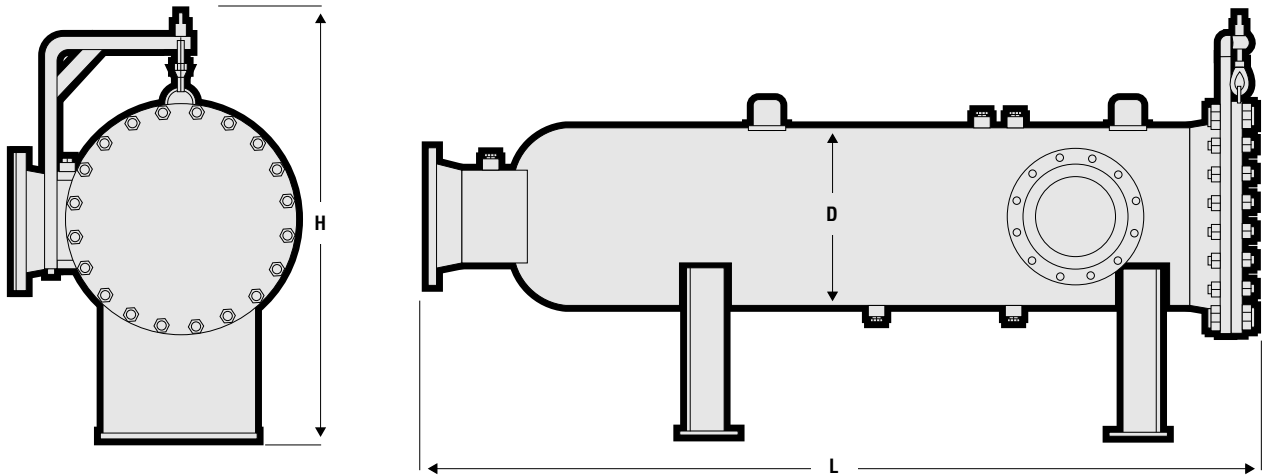
Part Number	No. Of Filters	Rated Flow Per Housing- GPM/LPM 60" Long Filter	Nominal Housing Diameter (In/mm) (D)	Inlet/Outlet Flange Diameter (In/mm)	Maximum Horizontal Housing Overall Length (In/mm) (L)	Horizontal Housing Height (In/mm) (H)	Distance Between Housing and Lid and Tubesheet (In/mm)	Housing Weight Empty Lbs/KG	Housing Weight Full Of Water Lbs/KG	Housing Cover Swing Opening (In/mm)
7HF ■ C ●2808F1▲	7	3500/13248	28/711	8/203.2	104.3/2648	57/1448	4.9/124	4056/1840	6229/2825	36/914
8HF ■ C ●3012F1▲	8	4000/15140	30/762	12/304	117.6/2988	58 ¼/1480	6.1/154	4707/2135	7348/3333	40.06/1018

Code	Housing Configuration
H	Horizontal
V	Vertical

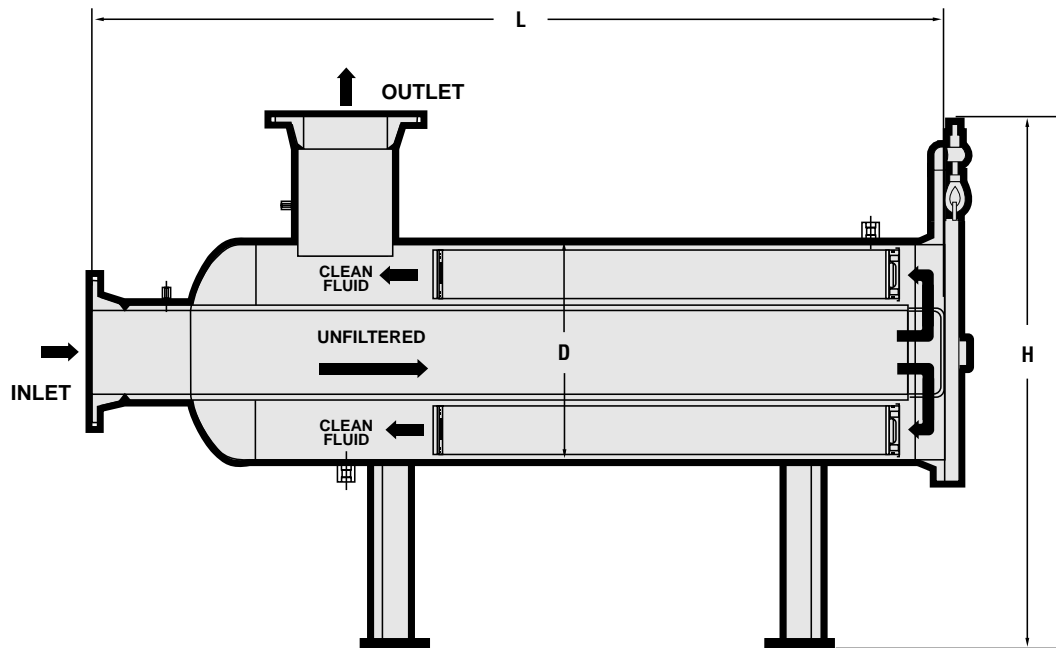
Code	Housing Metallurgy
285	Carbon Steel Vessel, 304 Stainless Steel Tubesheet
S3275	304L Stainless Steel
S8275	304 Stainless Steel
L3275	316L Stainless Steel
L8275	316 Stainless Steel

Code	Nominal Cartridge Length Inches/mm
2	20/508
4	40/1016
6	60/1524

Horizontal Housings



Horizontal Housings, Centerpipe Design



Ultipleat High Flow Filter System Reduces Costs

Begin reducing your capital and operating costs today. Contact your local Pall distributor, or call Pall directly for an Ultipleat High Flow system quotation.



Pall Corporation

2200 Northern Boulevard
East Hills, New York 11548-1289

800.645.6532 toll free
516.484.5400 phone
516.484.0364 fax


Visit us on the Web at www.pall.com

Select-A-FAX* 800.664.7255

for the latest information delivered to any fax machine, anywhere in the world. This automatic system operates 24 hours a day, seven days a week. Call 1.516.942.0523 from outside the USA.

Pall Corporation has offices and plants throughout the world in locations including: Argentina, Australia, Austria, Belgium, Brazil, Canada, China, France, Germany, Hong Kong, India, Indonesia, Ireland, Italy, Japan, Korea, Malaysia, Mexico, the Netherlands, New Zealand, Norway, Poland, Puerto Rico, Russia, Singapore, South Africa, Spain, Sweden, Switzerland, Taiwan, Thailand, United Kingdom, United States, and Venezuela. Distributors are located in all major industrial areas of the world.

Filtration. Separation. Solution.SM

© Copyright 1999, 2000 Pall Corporation. Pall,  are trademarks of Pall Corporation. ® indicates a Pall trademark registered in the USA. *Select-A-FAX is a registered trademark of CyberData, Inc.